

PRECISION METAL WORKING TOOL HOLDERS



Tool Holders, Collet Chucks,
End Mill Holders, Shrink Fit
Holders and Accessories



IMS.

Passion applied
to Quality.



100% Satisfaction Guarantee!

Call us Today 910.796.2040

www.imsusanc.com

Collet Chucks

*Dual Contact available in CAT and BT Holders.
MTXXDC = Dual Contact Quick Order Code

CAT



Size	Collet	Lengths Available					
40	ER16	3" MT01	4" MT02	6" MT03			
40	ER20	2.5" MT04	4" MT05	6" MT06			
40	ER25	3" MT07	4" MT08	6" MT09			
40	ER32	2.5" MT10	4" MT11	6" MT12			
40	ER40	3" MT13	4" MT14	6" MT15			

50	ER16	3" MT16	4" MT17	6" MT18			
50	ER20	3" MT19	4" MT20	6" MT21			
50	ER25	3" MT22	4" MT23	6" MT24			
50	ER32	3" MT25	4" MT26	6" MT27			
50	ER40	3" MT28	4" MT29	6" MT30			

BT



Size	Collet	Lengths Available					
30	ER16		70 MT31				
30	ER20		70 MT32				
30	ER25		70 MT33				
30	ER32		70 MT34				
30	ER40		80 MT35				

40	ER16		40 MT36				
40	ER20	40 MT37	63.5 MT37.1	100 MT37.2	150 MT37.3		
40	ER25		70 MT38				
40	ER32		70 MT39				
40	ER40		80 MT40				

50	ER16		40 MT41				
50	ER20		40 MT42				
50	ER25		70 MT43				
50	ER32		70 MT44				
50	ER40		80 MT45				

HSK



Size	Collet	Lengths Available					
63A	ER16		70 MT46				
63A	ER20		60 MT47				
63A	ER25		72.5 MT48				
63A	ER32	72.5 MT49	100 MT49.1	160 MT49.2			
63A	ER40	74.5 MT50	100 MT50.1	160 MT50.2			

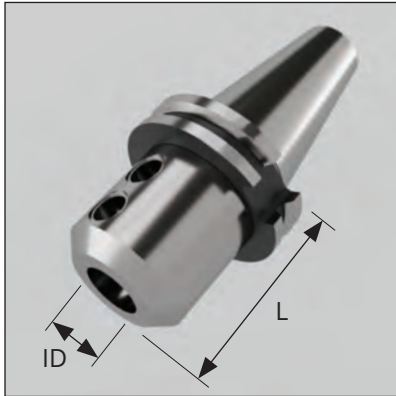
63F	ER16		70 MT51				
63F	ER20		60 MT52				
63F	ER25		72.5 MT53				
63F	ER32	72.5 MT54	100 MT54.1	160 MT54.2			
63F	ER40	74.5 MT55	100 MT55.1	160 MT55.2			

Various sizes available! Please call our Sales Department with any questions.

End Mill Holders

*Dual Contact available in CAT and BT Holders.
MTXXDC = Dual Contact Quick Order Code

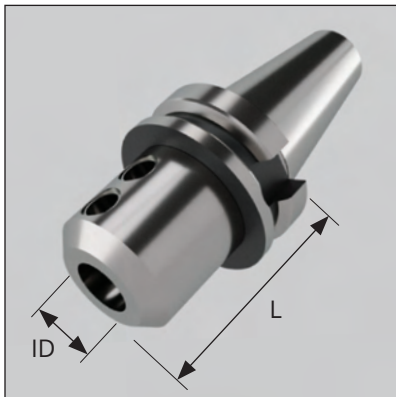
CAT



Size	ID	Lengths Available					
40	1/8	3"	MT56	4"	MT57	6"	MT58
40	1/4	3"	MT59	4"	MT60	6"	MT61
40	1/2	3"	MT62	4"	MT63	6"	MT64
40	3/4	3"	MT65	4"	MT66	6"	MT67
40	1	1.75"	MT68	4"	MT69	6"	MT70

50	1/8	3"	MT71	4"	MT72	6"	MT73
50	1/4	3"	MT74	4"	MT75	6"	MT76
50	1/2	3"	MT77	4"	MT78	6"	MT79
50	3/4	3"	MT80	4"	MT81	6"	MT82
50	1	3"	MT83	4"	MT84	6"	MT85

BT

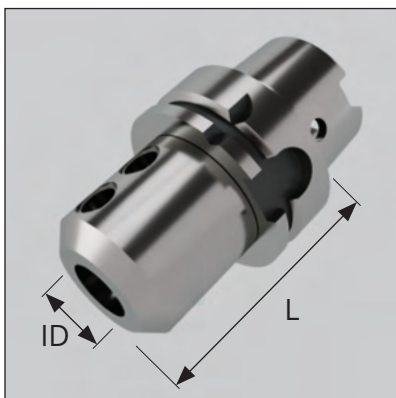


Size	ID	Lengths Available					
30	1/8	3"	MT86	4"	MT87	6"	MT88
30	1/4	3"	MT89	4"	MT90	6"	MT91
30	1/2	3"	MT92	4"	MT93	6"	MT94
30	3/4	3"	MT95	4"	MT96	6"	MT97
30	1	3"	MT98	4"	MT99	6"	MT100

40	1/8	3"	MT101	4"	MT102	6"	MT103
40	1/4	3"	MT104	4"	MT105	6"	MT106
40	1/2	63	MT107	4"	MT108	6"	MT109
40	3/4	63	MT110	4"	MT111	6"	MT112
40	1	63	MT113	4"	MT114	6"	MT115

50	1/8	3"	MT116	4"	MT117	6"	MT118
50	1/4	3"	MT119	4"	MT120	6"	MT121
50	1/2	3"	MT122	4"	MT123	6"	MT124
50	3/4	3"	MT125	4"	MT126	6"	MT127
50	1	3"	MT128	4"	MT129	6"	MT130

HSK



Size	ID	Lengths Available			
63A	1/4	3"	MT131	4"	MT132
63A	3/8	3"	MT133	4"	MT134
63A	1/2	3"	MT135	4"	MT136
63A	3/4	3"	MT137	4"	MT138
63A	1	3"	MT139	4"	MT140

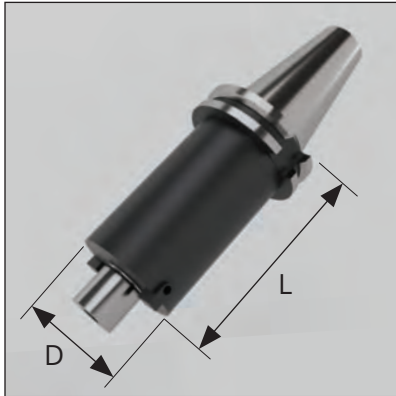
100A	6	70	MT141
100A	10	80	MT142
100A	12	80	MT143
100A	16	100	MT144

Various sizes available! Please call our Sales Department with any questions.

Shell / Face Mill Holders

*Dual Contact available in CAT and BT Holders.
MTXXDC = Dual Contact Quick Order Code

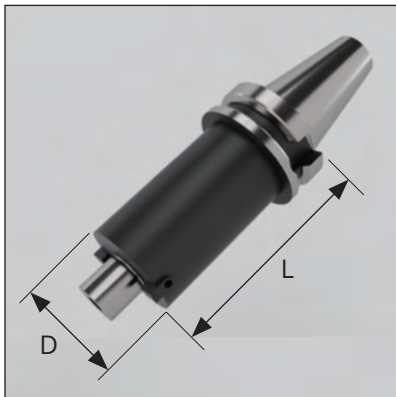
CAT



Size	Diameter	Lengths Available			
40	1/8	3" MT145	4" MT146	6" MT147	
40	1/4	3" MT148	4" MT149	6" MT150	
40	1/2	1.75" MT151	4" MT152	6" MT153	
40	3/4	3" MT154	3.5" MT155	6" MT156	
40	1	2" MT157	4" MT158	6" MT159	

50	1/8	3" MT160	4" MT161	6" MT162	
50	1/4	3" MT163	4" MT164	6" MT165	
50	1/2	1.75" MT166	4" MT167	6" MT168	
50	3/4	1.75" MT169	4" MT170	6" MT171	
50	1	1.75" MT172	4" MT173	6" MT174	

BT

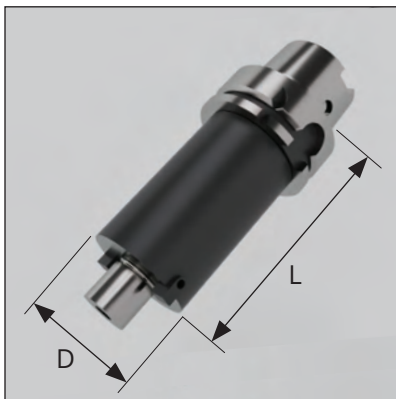


Size	Diameter	Lengths Available			
30	1/8	3" MT175	4" MT176	6" MT177	
30	1/4	3" MT178	4" MT179	6" MT180	
30	1/2		100 MT182	6" MT183	
30	3/4		100 MT185	6" MT186	
30	1	3" MT187	4" MT188	6" MT189	

40	1/8	3" MT190	4" MT191	6" MT192	
40	1/4	3" MT193	4" MT194	6" MT195	
40	1/2	1.75" MT196	4" MT197	6" MT198	
40	3/4		100 MT200	6" MT201	
40	1		100 MT203	6" MT204	

50	1/8	3" MT205	4" MT206	6" MT207	
50	1/4	3" MT208	4" MT209	6" MT210	
50	1/2	3" MT211	4" MT212	6" MT213	
50	3/4	3" MT214	4" MT215	6" MT216	
50	1	3" MT217	4" MT218	6" MT219	

HSK



Size	Diameter	Lengths Available	
63A	1/2	4" MT220	
63A	3/4	4" MT221	
63A	1	4" MT222	

100A	22	100 MT223	
100A	27	100 MT224	
100A	32	100 MT225	
100A	40	100 MT226	

Various sizes available! Please call our Sales Department with any questions.

Shrink Fit Holders

*Shrink Fit Slim versions also available

*Dual Contact available in CAT and BT Holders.
MTXXDC = Dual Contact Quick Order Code

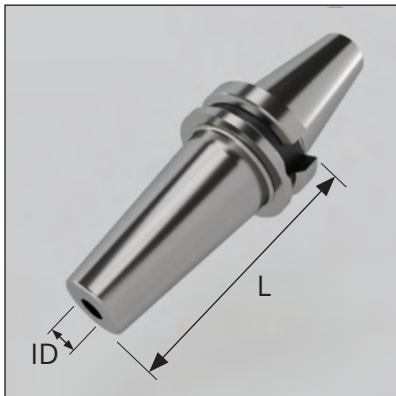
CAT



Size	ID	Lengths Available					
40	1/4	3"	MT227	90	MT228	120	MT229
40	3/8	3"	MT230	90	MT231	120	MT232
40	1/2	3"	MT233	90	MT234	120	MT235
40	5/8	3"	MT236	90	MT237	120	MT238
40	3/4	3"	MT239	90	MT240	120	MT241
40	1	3"	MT242	90	MT243	120	MT244

50	1/4	75	MT245	90	MT246	120	MT247
50	3/8	75	MT248	90	MT249	120	MT250
50	1/2	75	MT251	90	MT252	120	MT253
50	5/8	75	MT254	90	MT255	120	MT256
50	3/4	75	MT257	90	MT258	120	MT259
50	1	75	MT260	90	MT261	120	MT262

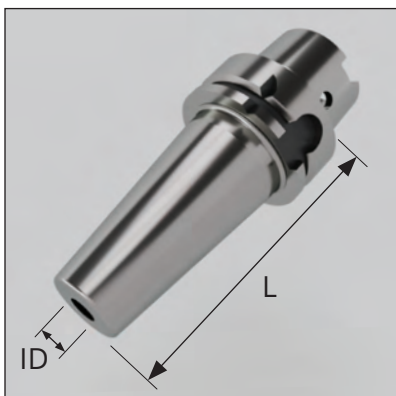
BT



Size	ID	Lengths Available					
40	1/4	75	MT263	90	MT264	120	MT265
40	3/8	75	MT266	90	MT267	120	MT268
40	1/2	75	MT269	90	MT270	120	M271
40	5/8	75	MT272	90	MT273	120	MT274
40	3/4	75	MT275	90	MT276	120	MT277
40	1	75	MT278	90	MT279	120	MT280

50	1/4	75	MT281	90	MT282	120	MT283
50	3/8	75	MT284	90	MT285	120	MT286
50	1/2	75	MT287	90	MT288	120	MT289
50	5/8	75	MT290	90	MT291	120	MT292
50	3/4	75	MT293	90	MT294	120	MT295
50	1	75	MT296	90	MT297	120	MT298

HSK



Size	ID	Lengths Available					
63A	1/4	75	MT299	90	MT300	120	MT301
63A	3/8	75	MT302	90	MT303	120	MT304
63A	1/2	75	MT305	90	MT306	120	MT307
63A	5/8	75	MT308	90	MT309	120	MT310
63A	3/4	75	MT311	90	MT312	120	MT313
63A	1	75	MT314	90	MT315	120	MT316

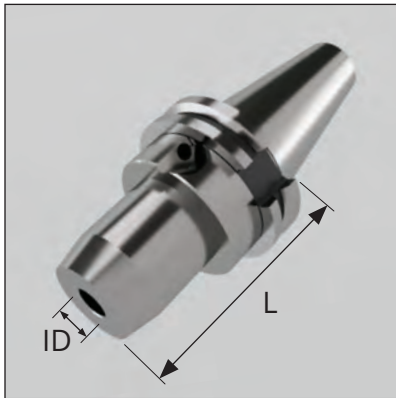
100A	1/4	75	MT317	90	MT318	120	MT319
100A	3/8	75	MT320	90	MT321	120	MT322
100A	1/2	75	MT323	90	MT324	120	MT325
100A	5/8	75	MT326	90	MT327	120	MT328
100A	3/4	75	MT329	90	MT330	120	MT331
100A	1	75	MT332	90	MT333	120	MT334

Various sizes available! Please call our Sales Department with any questions.

Hydraulic Chucks

*Dual Contact available in CAT and BT Holders.
MTXXDC = Dual Contact Quick Order Code

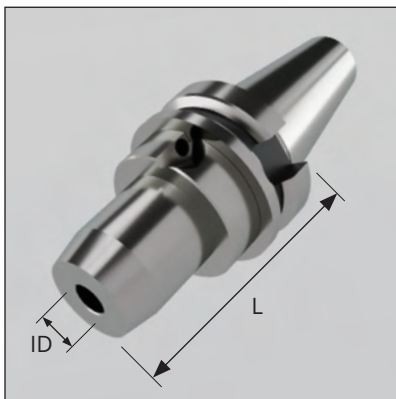
CAT



Size	ID	Lengths Available	Transmittable torque Nm
40	10	95 MT335	h6 = 30 h7 = 15
40	16	100 MT336	h6 = 100 h7 = 75
40	1/2	95 MT337	h6 = 60 h7 = 30
40	3/4	100 MT338	h6 = 260 h7 = 175
40	1	110 MT339	h6 = 480 h7 = 350

50	10	95 MT340	h6 = 30 h7 = 15
50	16	100 MT341	h6 = 100 h7 = 75
50	1/2	95 MT342	h6 = 60 h7 = 30
50	3/4	100 MT343	h6 = 260 h7 = 175
50	1	120 MT344	h6 = 480 h7 = 350

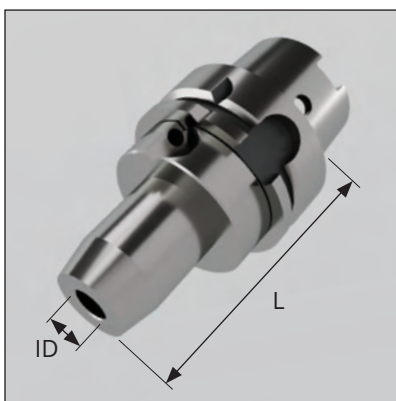
BT



Size	ID	Lengths Available
40	10	95 MT345
40	16	100 MT346
40	1/2	95 MT347
40	3/4	100 MT348
40	1	110 MT349

50	10	95 MT350
50	16	100 MT351
50	1/2	95 MT352
50	3/4	100 MT353
50	1	120 MT354

HSK



Size	ID	Lengths Available
63A	16	95 MT355
63A	25	120 MT356
63A	1/2	90 MT357
63A	3/4	95 MT358
63A	1	120 MT359

100A	16	95 MT360
100A	25	120 MT361
100A	1/2	90 MT362
100A	3/4	95 MT363
100A	1	120 MT364

Various sizes available! Please call our Sales Department with any questions.

Preset T handle Torque Wrench Available



Componets / Accessories

Other Connections

HSK



Size		
32C	32E	40C
40E	63C	63E
80A		120A

CAT



Size
45

BT



Size
35
45

ISO



ISO
DIN69871/A
10,20, 25,30,
40, 50



ISO DIN2080
30,40,50

DRILL CHUCKS



POWER MILLING
AVAILABLE



Collets & Nuts

SEALED
COLLETS



ER8, ER11,
ER16, ER20,
ER25, ER32,
ER40, EOC20,
EOC25

All imperial and
metric sizes
available.

NUTS



ER11, ER16,
ER20, ER25,
ER32, ER40,
EOC20, EOC25

Ball bearing
nuts available.

Componets & Accessories

PETAL COLLETS



HSK Style



ISO Style

PULL STUDS



For all the standards and
machines on the market.
With/without water passage.

WRENCHES



TOOL CLAMPERS



SPINDLE CLEANERS



TOOL CARTS



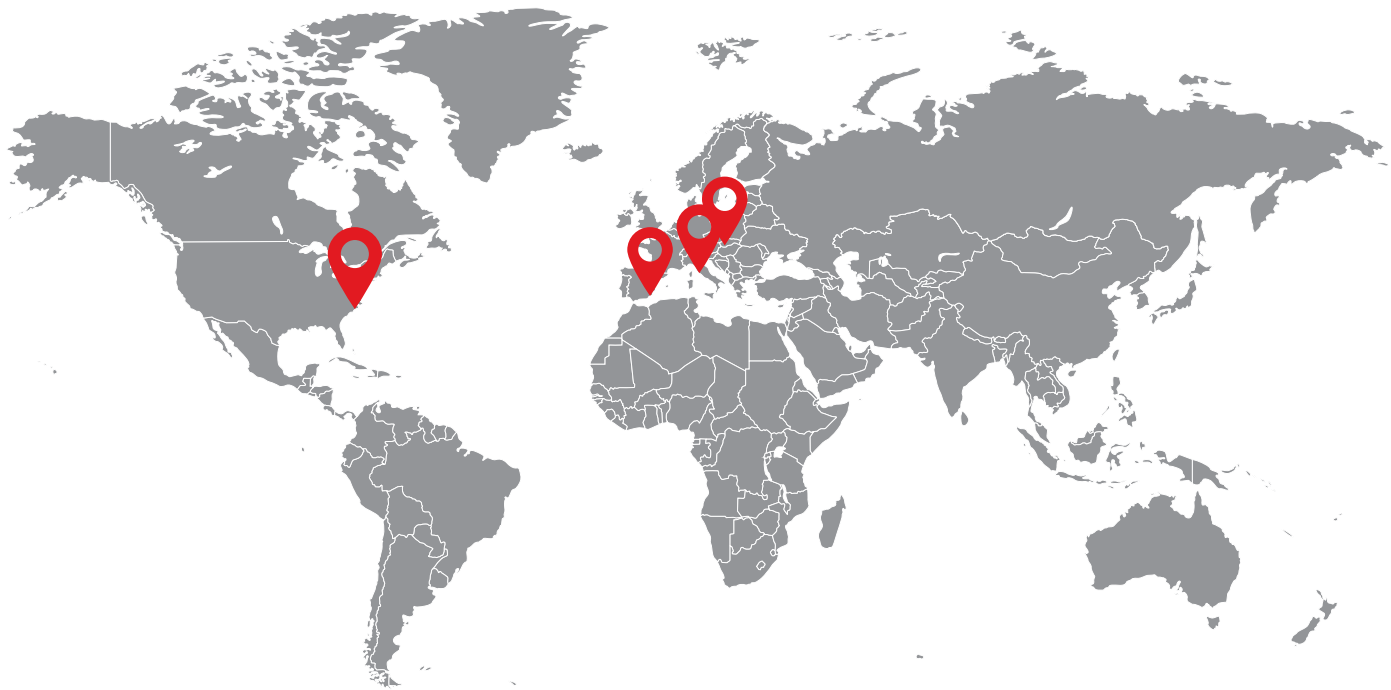
MORE PRODUCTS:

- Dual Contact 30,35,40,45,50
- Morse Taper 1,2,3,4
- Cylindrical Shank Extensions
- Tap Holders
- Milling Chucks
- Modular Tool Holders

Looking for a unique tool holder?

Give us the chance to build
your **high quality,**
Italian tool holder.

IMS in the world.



Parts of your business

IMS USA LLC
110 Portwatch Way
Unit 103 - Wilmington
NC - 28412 - USA
Tel. (910) 796-2040
Fax (910) 796-2039
info@imsusanc.com
www.imsusanc.com

